



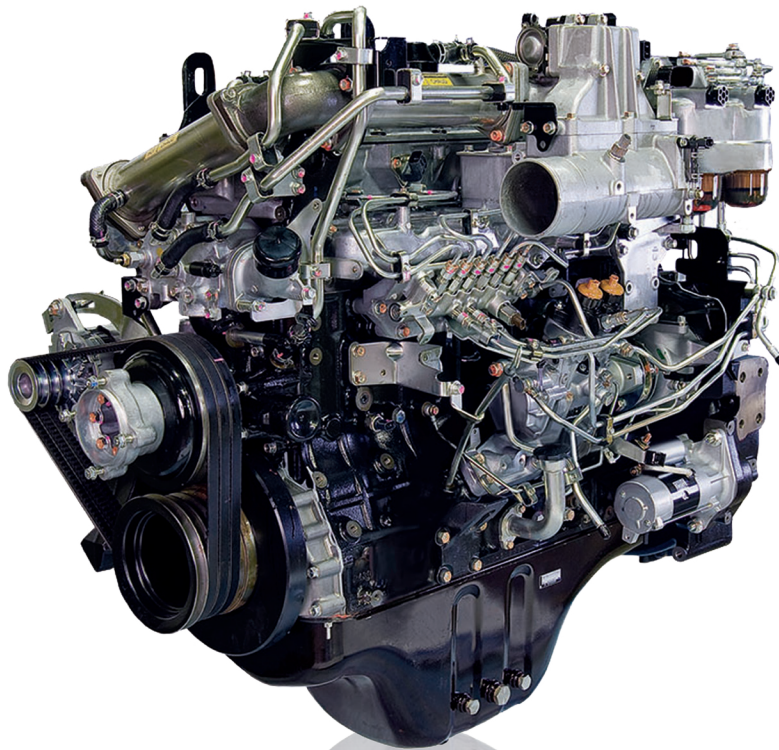
ISUZU
RED TECH™
Reliable. Eco-friendly. Durable. Technologically Advanced

6U SERIES

Dependable Power | 362 HP (270 KW) @ 2000 RPM (variable speed)

TAKE IT FURTHER

(and farther)



High technology exhaust after treatment provides the ideal level of applied simplicity and end user performance to go farther.

Certifications

U.S. EPA Tier **4**
EU Stage **IV**

isuzuengines.com



- Agricultural
- General Industrial
- Marine
- Eco-Friendly
- Automotive
- On Road Heavy Duty

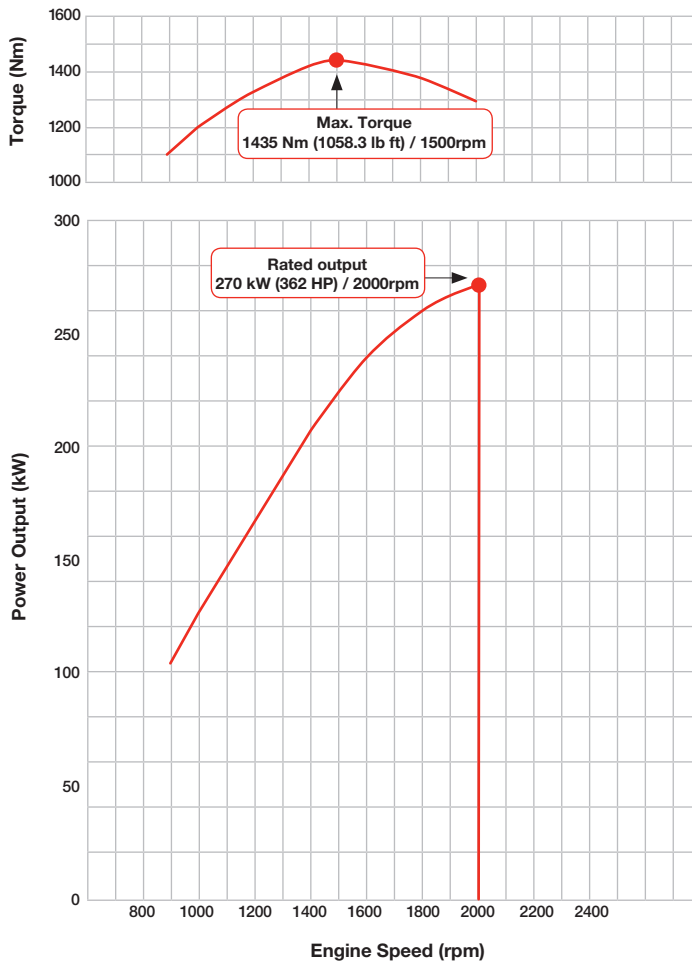
Applications

- AWP
- Water Pump
- Hydraulic Pump
- Refrigeration
- Generator
- Asphalt Paver
- Irrigation

ISUZU
DIESEL

Performance

Engine Performance Curves



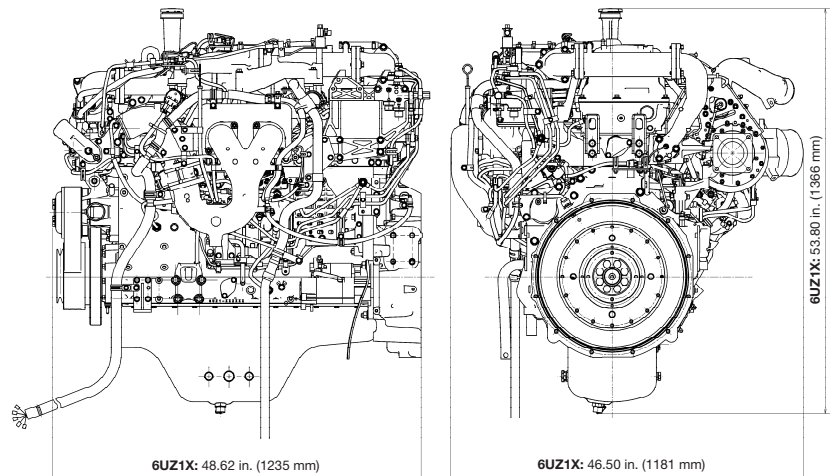
Standard

- Emission Control Device, maintenance free
- DOC & SCR
- Other emission-reducing features, including Cooled EGR, Wastegate Turbocharger
- High pressure Common Rail and Direct Injection
- Electric & self-priming fuel lift pump
- Glow plug starting aid
- Dry/replaceable cylinder liners
- 5-year / 5,000-hour warranty
- 500-hour oil drain & service interval

Available Options

- Side or bottom drain oil pan
- SAE B Gear Case PTO
- Cooling packages
- Air cleaners
- Meter board and wire harness
- Engine mounting
- Weather and sound-proofing enclosure
- DEF System

For additional information, please contact your local distributor or visit isuzuengines.com



Isuzu Motors America, LLC

46401 Commerce Center Drive
Plymouth, Michigan 48170
Phone: 734.582.9470
Fax: 734.455.7581

ILS-6UZ1X-019-3

ISUZU
DIESEL

isuzuengines.com